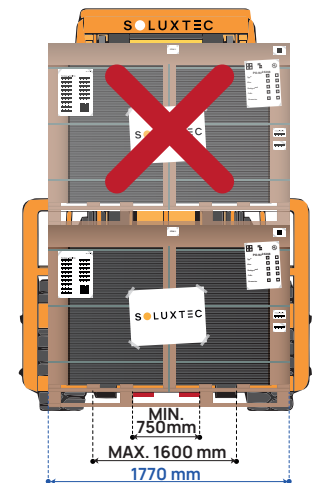
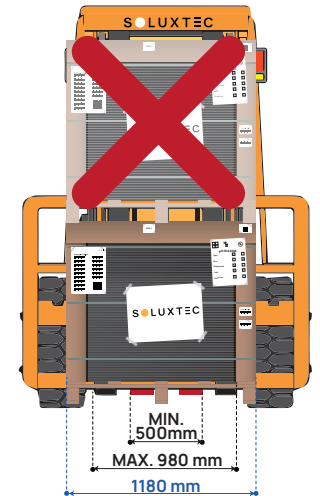
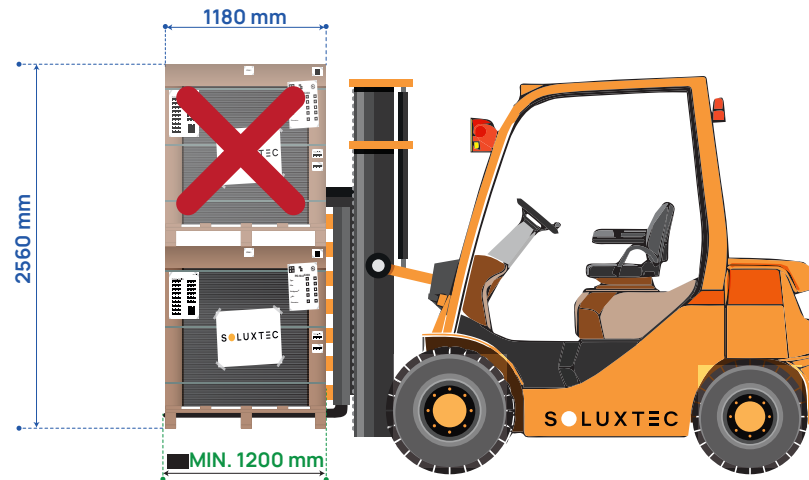
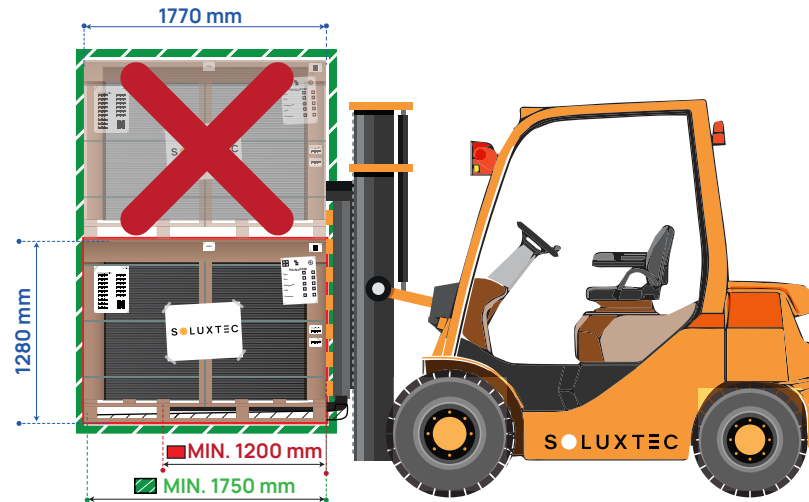
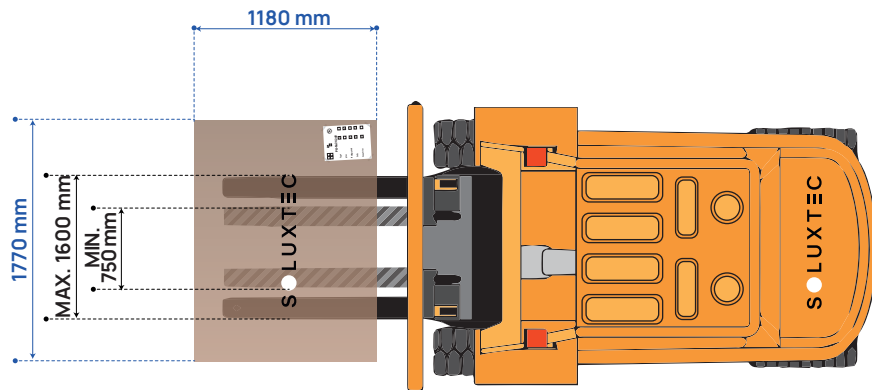
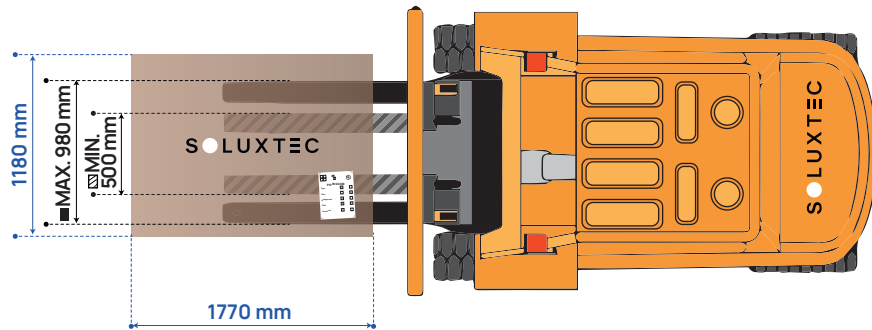


IMPORTANT INFORMATION

FOR SETTINGS



FORKLIFT FORK CUSTOMIZE



NOTE:

When **double stacking pallets**, ensure upper pallet sits securely on edge protectors.

BOTTOM PANEL NOTE:

Pallets may not be stacked once standard **Soluxtec** Packaging documentation including: Serial Nr, ID bar codes, packaging is removed description of module type, date of packaging & pallet number. Only Soluxtec pallets on each other, no pallets from other companies.